

132-836H190 GT-185 (1992)
46" Mower Deck

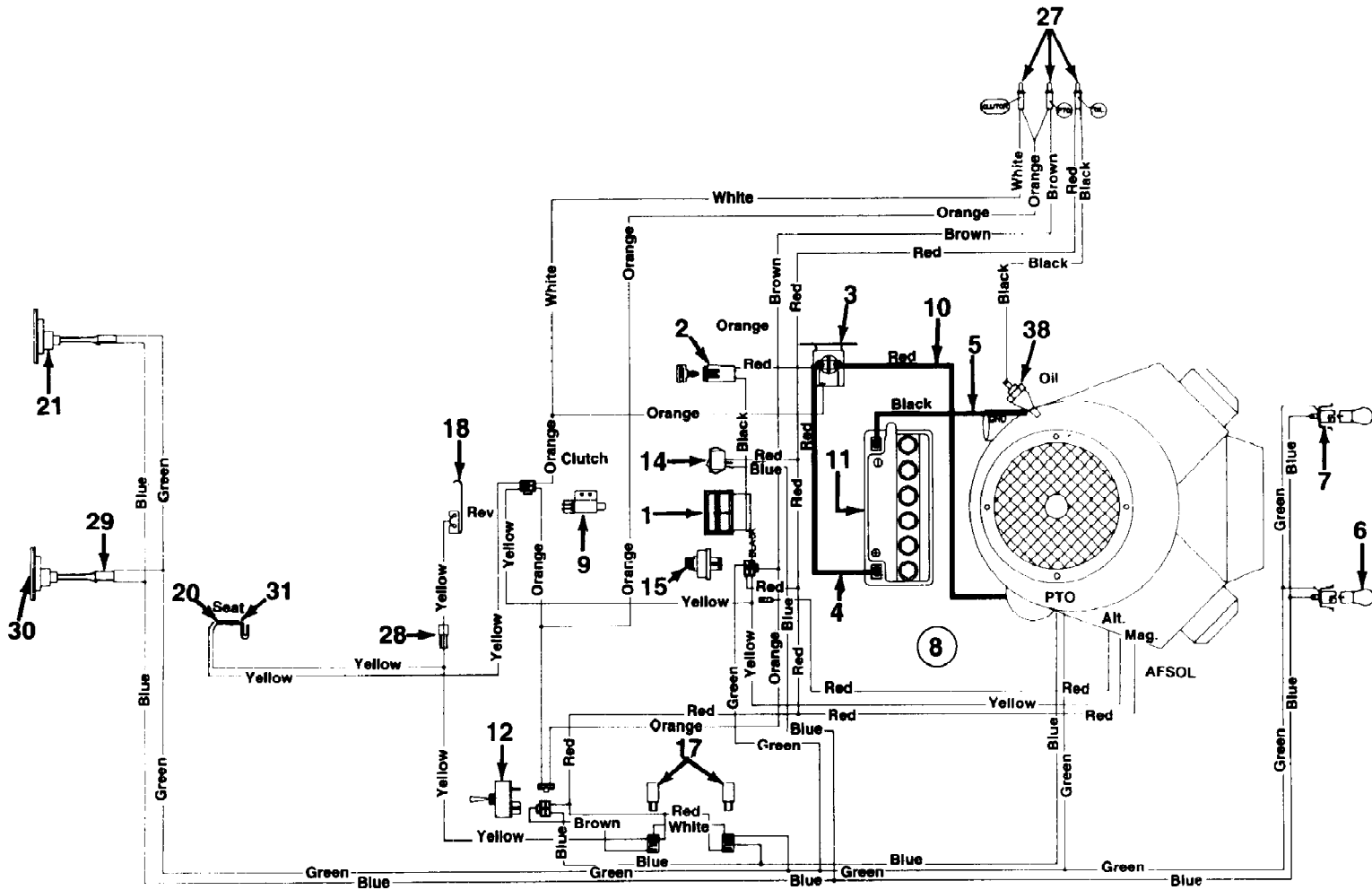
Page 2 of 24

Ref #	Part Number	Qty	S/P/F	Description
1	17347	1	S	Deck Stabilizer
2	17264	1	S	Diagonal Brace
6	17218D	1	S	46" Deck Ass'y.
	17455	1		46" Deck Ass'y. Comp.
7	710-0258	1	S	Hex Bolt 1/4-20 x .62" Lg.
8	711-0792	1	S	Hinge Pin
9	712-0298	1	S	Hex Jam Nut 1/4-20 Thd.
10		1		UNKNOWN
12	736-0270	1	/P	Bell-Wash. 1/4" I.D.
13	738-0392	1		Deck Connecting Rod
15	710-0604	1	S	Hex TT-Tap Scr. 5/16-18 x .62"
16	17261	1		Idler Mtg. Brkt.
17	710-0888	1	/P	Hex Bolt 5/16-24 x 1" Lg. (Spec.)
18	710-0157	1	/P	Hex Bolt 5/16-24 x .75" Lg.
19	712-0123	1	/P	Hex Nut 5/16-24 Thd.
20	736-0119	1	S/F	L-Wash. 5/16" I.D.
21	736-0242	1	/P	Bell-Wash. 5/16" I.D.
22	717-0912	1	S	Spindle Ass'y. (R.H. & Center)
23	717-0913	1	S	Spindle Ass'y. (L.H.)
26	710-0888	1	/P	Hex Bolt 5/16-24 x 1.0" Lg. (Spec.)
27	710-0877	1	S	Hex Cl-Bolt 3/8-24 x .88" Lg.
28	712-0123	1	/P	Hex Nut 5/16-24 Thd.
29	736-0119	1	S/F	L-Wash. 5/16" I.D.
30	736-0217	1	S	L-Wash. 3/8" I.D. - H.D.
31	742-0486	1	S	High Lift Blade 14.88" Lg.
32	742-0487	2 Req'd.		High Lift Blade 16.28" Lg.
33	748-0300	1		Blade Adapter
35	17116	1	S/F	Deck Brake Brkt. Ass'y.
36	17213	1	S	Idler Bracket
37	17258	1	S	Belt Cover Brkt. - R.H.
38	17260	1	S	Belt Keeper Bracket
39	710-0152	1	S	Hex Bolt 3/8-24 x 1.0" Lg.
40	710-0459	1	S	Hex Bolt 3/8-24 x 1.5" Lg.
41	710-0559	1	F	Hex Bolt 1/4-28 x 1.75" Lg.
42	710-0599	1	/P	Hex Wash. Hd. Tap-Scr. 1/4-20 x .5" Lg.
43	710-0624	1	/P/F	Hex Bolt 5/16-24 x 1.5" Lg. (Grade 5)
44	710-0698	1	/P	Hex Bolt 1/4-28 x 1.5" Lg.
46	711-0747	1	S	Belt Guard Pin 1/4" Dia.
47	712-0117	1	S/F	Hex Cent. L-Nut 1/4-28 Thd.
48	712-0123	1	/P/F	Hex Nut 5/16-24 Thd.
49	712-0138	1	S/F	Hex Nut 1/4-28 Thd.
50	712-0241	1	/P	Hex Nut 3/8-24 Thd.
51	712-0287	1	S/F	Hex Nut 1/4-20 Thd.
52	712-0318	1	/P	Hex Jam Nut 5/8-18 Thd.
53	727-0426	1	F	Brake Cable Ass'y.
	727-0445	1	S/F	Brake Cable Ass'y. (Style 9)
54	732-0594A	1	S	Extension Spring 6.17" Lg.
55	732-0429A	1	S/F	Extension Spring 3.97" Lg.
56	736-0105	1	/P	Bell-Wash. .38" I.D. x .88" O.D.
57	736-0331	1	/P	Bell-Wash. .39" I.D. x 1.13" O.D.
60	736-0158	1	S	L-Wash. 5/8" I.D.
61	736-0329	1	S/F	L-Wash. 1/4" I.D.
62	736-0416			L-Wash. 1/4" I.D. x 3" O.D.

132-836H190 GT-185 (1992)
46" Mower Deck

Page 3 of 24

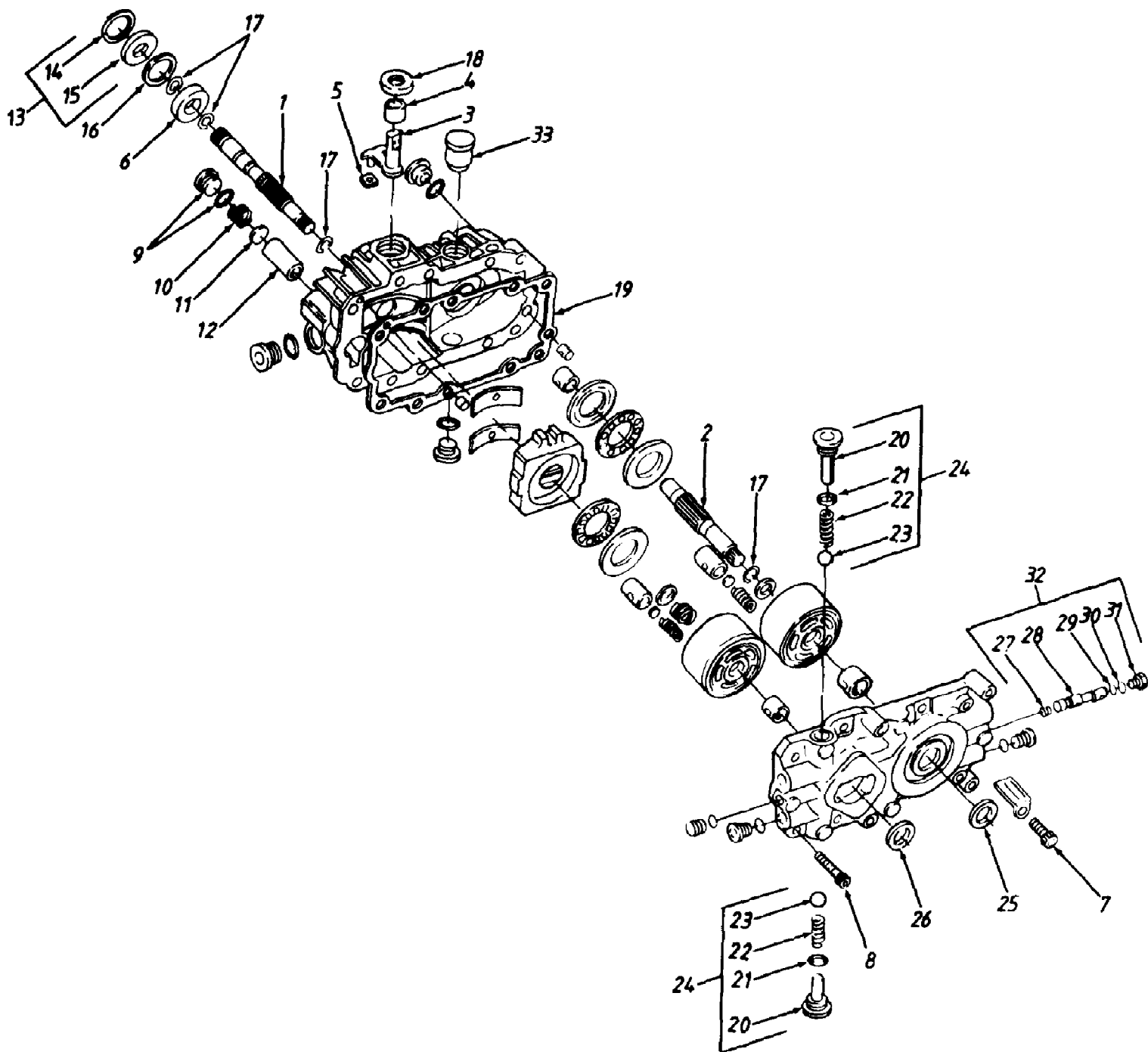
Ref #	Part Number	Qty	S/P/F	Description
63	738-0347	1	S	Shld. Spacer .625" I.D.
64	748-0234	1	/P/F	Shld. Spacer
65	750-0214	1	F	Spacer .34" I.D.
66	750-0470	1	F	Spacer .326" I.D.
67	754-0349	1	S	V-Belt
68	754-0350	1	S	V-Belt
69	756-0365	1	S	FI-Idler w/Flanges 3.5" O.D.
70	756-0519	1	/P	Pulley 5.0" Dia.
71	756-0520	1		Pulley 5.0" Dia.
72	711-0701	1	S/F	Clevis Pin 1/4" Dia. x .53" Lg.
73	712-0798	1	/P	Hex Nut 3/8-16 Thd.
74	714-0104	1	S/F	Intern. Cotter Pin 5/16" Dia.
75	714-0145	1	S	Intern. Cotter Pin 3/8 Dia.
76	734-0973	1	/P	Deck Wheel 5" Dia.
77	734-3058B	1	S	Deck Wheel w/Insert 5" Dia.
78	736-0169	1	S/F	L-Wash. 3/8" I.D."
79	736-0192	1	S	FI-Wash. .531" I.D.
80	738-0533	1	S	Shoulder Bolt .498" Dia. x 1.64" Lg.
81	738-3056	1	S	Shoulder Bolt
82	710-0653	1	/P	Hex Wash. Hd. Tap-Scr. 1/4-20 x .38" Lg.
83	732-0602	1	S	Torsion Spring
84	703-1693	1	S	Hinge Mtg. Brkt.
85	726-0106	1	S	Push Nut
86	731-1032	1	S	Chute Ass'y. Comp. (Incl. Ref. 8, 83, 84, 85, 86)
87	750-0757	1	S	Spacer 5/8" I.D. x 7/8" O.D.



132-836H190 GT-185 (1992)
Electrical System

Page 5 of 24

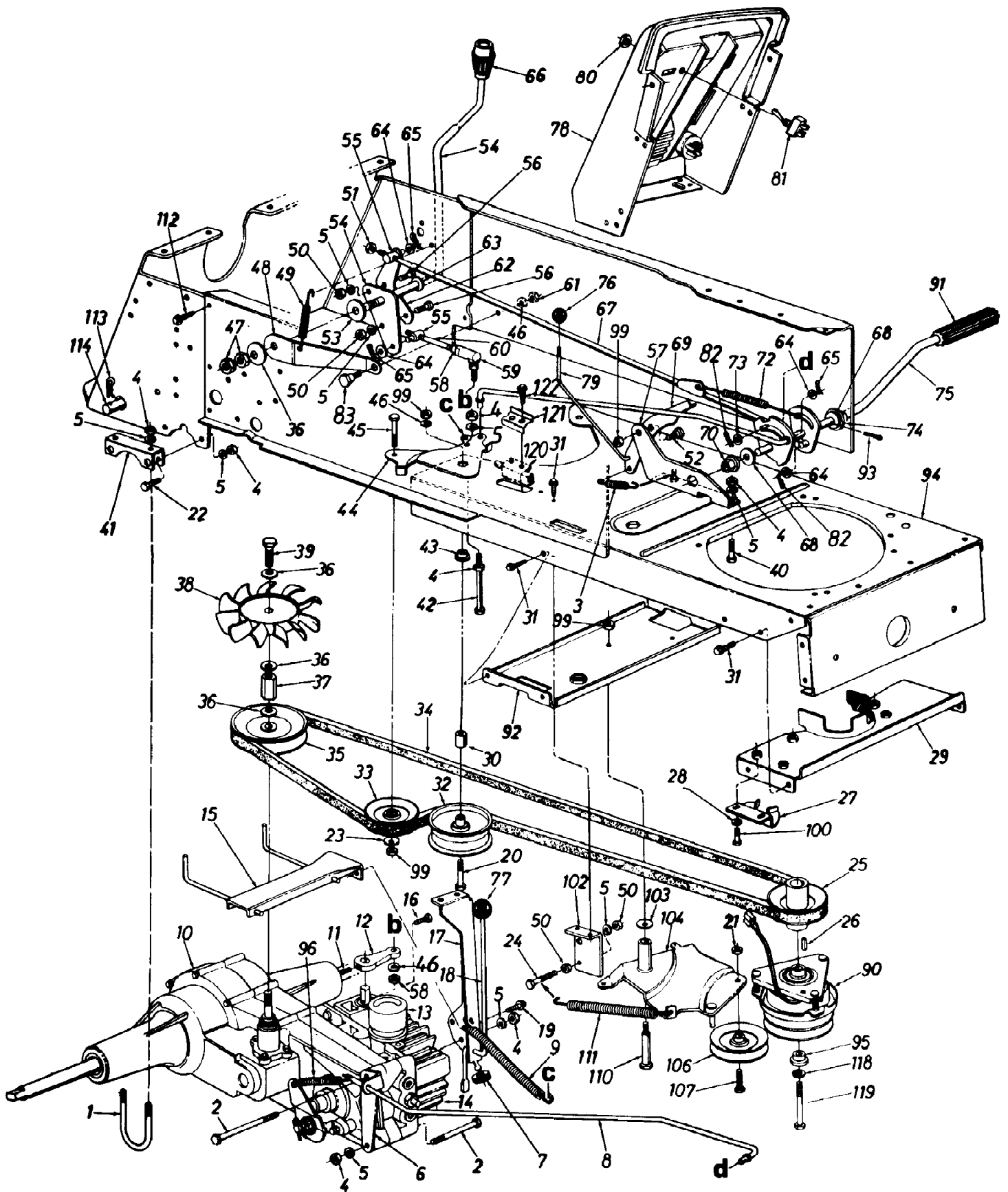
Ref #	Part Number	Qty	S/P/F	Description
1	725-0925	1	S	Ammeter
2	725-1381	1	S	Fuse 20 Amp Code: N notates a new part (not previously existing).
3	725-1426	1	S	Solenoid
4	725-0561	1	S	Wire
5	725-0981	1		6 Ga. Red Wire 20" Lg.
6	725-0963	1	S	Bulb
7	725-1649	1	S	Socket Code: N notates a new part (not previously existing).
8	629-0065	1		Wire Harness Code: N notates a new part (not previously existing).
9	725-3169A	1	S	Safety Switch (Clutch)
10	725-1085	1	S	6 Ga. Black Wire Code: N notates a new part (not previously existing).
11	725-1635	1	S	Battery (275 Cold Crank Amps)
12	725-0893	1	S	Switch (PTO)
?13	725-0379	1		Safety Switch (Clutch)
14	725-0634	1	S	Light Switch
15	725-1396	1	S	Ignition Switch
17	725-1648	1	S	Relay Code: N notates a new part (not previously existing).
18	725-1643	1		Spring Lever Code: N notates a new part (not previously existing).
20	725-1303	1	S	Safety Switch (Seat)
21	725-3018	1		Taillight
27	725-1365	1	S	Bulb
28	725-1399	1		Transmission Ext. Wire
29	725-1380	1		Taillight Harness
30	725-3020	1	S	Bulb
31	725-1439	1		Safety Switch (Seat)
38	751-0537	1		Oil Pressure Switch



132-836H190 GT-185 (1992)
Hydrostatic Transmission

Page 7 of 24

Ref #	Part Number	Qty	S/P/F	Description
	717-0940	1		Hydrostatic Transmission
1	SU-J1020650	1	S	Shaft - Pump
2	SU-J1020651	1	S	Shaft - Motor
3	SU-J1030744	1	S	Arm, Trunnion
4	SU-J1041151	1	S	Bearing, Journal
5	SU-J1040980	1	S	Guide, Slot
6	SU-JSP0631	1	S	Bearing, Ball
7	SU-JAAM0802001	4		Screw, Socket Head
8	SU-JAAM0803501	4	S	Screw, Socket Head
9	SU-90051108700	1	S	Plug
10	SU-J1041159	1	S	Spring, Filter
11	SU-J1041158	1	S	Washer, Filter
12	SU-J1041157	1	S	Filter
13	SU-J1742003	1	S	Kit, Seal (Incl. 14 & 15)
14	SU-JFBE0351	1	S	Ring, Retaining
15	SU-JSP0632	1	S	Seal, Lip
16	SU-J1040972	1	S	Spacer
17	SU-J1040970	4	S	Ring, Retaining
18	SU-JSP0633	1	S	Seal, Lip
19	SU-J1020647	1	S	Gasket
20	SU-J1041007	2		Plug
21	SU-90042013700	2	S	O-Ring
22	SU-J1041195	2		Spring
23	SU-JHKW03	2	S	Ball
24	SU-J1742004	2	S	Kit, Check Valve (Includes Ref. No. 20, 21, 22 & 23)
25	SU-JSP0652	1	S	Seal, Lip
26	SU-J1040500	1	S	Seal, Lip
27	SU-J1041178	1	S	Spring
28	SU-J1041152	1		Spool, Bypass
29	SU-JKP1A003	1	S	O-Ring
30	SU-90042012500	1	S	O-Ring
31	SU-J1041153	1		Plug
32	SU-1742006	1	S	Kit, Bypass Valve (Includes Ref. No. 27, 28, 29, 30 & 31)
	SU-J1742008	1	S	Kit, Overhaul Seal [Includes Ref. No. 14, 15, 16, 17 (Qty. 4), 18, 19, 21 (Qty. 2), 25, 26, 29 & 30]
33	SU-J1742009	1	S	Reservoir



Lower Frame, Dash Panel Ass'y., Transaxle And Linkages

Ref #	Part Number	Qty	S/P/F	Description
1	711-0827	1		U-Bolt 5/16-18 x 3.25" Lg.
2	710-3196	1		Hex Patch Bolt 5/16-18 x 4.5" Lg. (Gr. 5)
3	732-0445	1	/P	Ext. Spring .5" O.D. x 1.55"
4	712-0267	1	S/F	Hex Nut 5/16-18 Thd.
5	736-0119	1	S/F	L-Wash. 5/16" I.D.
6	17355	1		Brake Rod Guide Brkt.
7	735-0126	1	S	Rubber Wash. .33" I.D. x .87"
8	747-0731	1		Brake Rod
9	732-0384	1	S	Ext. Spring .62" O.D. x 6.12" Lg.
10	717-0950	1		Transaxle
11	710-0985	1		Set Screw 5/16-24 x .38" Lg.
12	748-0328	1	S	Pintle Shift Lever
13	717-3049	1	S	Reservoir
14	717-0940	1		Hydrostatic Pump
15	16929	1		Belt Guard Ass'y.
16	710-3195	1		Hex Bolt 5/16-18 x 4.5" Lg. (Gr. 5)
17	16807	1		Transaxle Torque Bracket
18	747-0570	1		Transaxle Control Rod
19	710-0603	1	/P	Hex Wash. Hd. B-Tap Scr. 5/16-18
20	710-3066	1	/P	Hex Bolt 3/8-16 x 2.75" Lg.
21	712-0214	1	S	Hex Cent. Lock Nut 3/8-16 Thd.
22	710-3008	1	/P	Hex Bolt 5/16-18 x .75" Lg. (Gr. 5)
23	736-0300	1	S	FI-Wash. .385" I.D. x .87" O.D.
24	710-0409	1	/P	Hex Bolt 5/16-24 x 1.75" Lg.
25	756-0575	1		Engine Pulley
26	714-0128	1	/P	Sq. Key 1/4 x 1" Lg.
27	17418	1	S	Torque Bracket
28	736-0242	1	/P	Bell-Wash. .345" I.D. x .88" O.D.
29	17358C	1	S	Belt Keeper Brkt. Ass'y.
30	711-0396	1	/P	Spacer .375" I.D. x .75" Lg.
31	710-0599	1	/P	Hex Wash. Hd. TT-Tap Scr. 1/4-20 x .5" Lg.
32	756-0515	1		FI-Idler Pulley 3.25" Dia.
33	756-0116	1	S	V-Belt Idler
34	754-0365	1	S	V-Belt
35	756-0539	1		Transmission Pulley 4.25" O.D.
36	736-0112	1	/P	Bell-Wash. .56" I.D. x 1.5"
37	712-0356	1		Fan Adapter Nut 9/16-18 Thd.
38	731-0974	1		Fan
39	710-1043	1		Hex Bolt 9/16-18 x .5" Lg.
40	710-0118	1	S/F	Hex Bolt 5/16-18 x .75" Lg.
41	16925	1		Transaxle Mtg. Bracket
42	710-0176	1	/P/F	Hex Bolt 5/16-18 x 2.75" Lg.
43	738-0347	1	S	Shld. Spacer .625" I.D.
44	16926A	1		Clutch Idler Bracket
45	710-0344	1	/P	Hex Bolt 3/8-16 x 1.5" Lg.
46	736-0169	1	S/F	L-Wash. 3/8" I.D.
47	712-0922	1	/P	Hex Jam Nut 1/2-20 Thd.
48	16931	1		Speed Control Rod Torque Brkt.
49	732-0609	1		Ext. Spring 2.5" Lg.
50	712-0123	1	/P	Hex Nut 5/16-24 Thd.
51	712-0711	1	/P	Hex Jam Nut 3/8-24 Thd.
52	738-0147	1		Shld. Bolt .50" Dia. x .170"
53	736-0428	1		Shld. Bolt .54" I.D. x 1.75"

Lower Frame, Dash Panel Ass'y., Transaxle And Linkages

Ref #	Part Number	Qty	S/P/F	Description
54	16930	1		Speed Control Handle Ass'y.
55	711-0198	1	S	Ferrule 3/8-24 Thd.
56	710-0237	1	/P	Hex Bolt 5/16-24 x .62" Lg.
57	17348	1		Foot Pedal Mtg. Brkt.
58	712-0241	1	/P	Hex Nut 3/8-24 Thd.
59	723-0351	1	S	Ball Joint Ass'y.
60	747-0508	1		Control Rod 3/8-24 x 3.75" Lg.
61	712-0798	1	/P/F	Hex Nut 3/8-16 Thd.
62	16940	1		Speed Selector Handle Brkt.
63	736-0257	1	S	FI-Wash. .531" I.D. x 1.25" O.D.
64	736-0140	1	S	FI-Wash. .385" I.D. x .62" O.D.
65	714-0104	1	S	Internal Cotter Pin
66	720-0218	1	/P	Shift Knob
67	17416	1		Neutral Return Rod
68	736-0187	1	/P	FI-Wash. .64" I.D. x 1.24" O.D.
69	17351	1		Parking Brake Lock Brkt.
70	741-0225	1	S	Hex Flange Brg. .634" Dia.
?71	747-0728	1		Clutch Idler Rod
72	732-0608	1		Extension Spring 8" Lg.
73	736-0264	1	S	FI-Wash. .344" I.D. x .62" O.D.
74	748-0209	1	S	Flange Bearing w/Flats
75	17350	1		Foot Pedal Ass'y.
76	720-0166	1	/P	Ball Knob Brake
77	720-0187	1		Ball Knob 1/4-20 Thd.
78	731-0958A	1		Dash Panel Ass'y. Code: N notates a new part (not previously existing).
79	747-0722	1		Parking Brake Link
80	712-3014	1		Hex Nut 1/2-27 Thd.
81	725-0893	1	S	Toggle Switch
82	714-0111	1	S	Cotter Pin 3/32" Dia. x 1.0" Lg.
83	738-0183	1	S	Shld. Bolt .5" Dia. x .212"
90	717-0949	1	S	Electric Clutch
91	735-0196	1	S	Foot Pad
92	16888	1	S	Deck Idler Support Brkt.
93	714-0115	1	S	Cotter Pin 1/8" Dia.
94	17359A	1	S	Lower Frame
95	738-0785	1	S	Shoulder Spacer
96	732-0607	1		Ext. Spring 3.675" Lg.
99	712-0375	1	/P	Hex Cent. L-Nut 3/8-16 Thd.
100	710-3008	1	/P	Hex Bolt 5/16-18 x .75" Lg. (Gr. 5)
102	13833	1	S	Parking Brake Mtg. Brkt.
103	736-0105	1	/P	Bell-Wash. .380" I.D. x .88" O.D.
104	14076A	1	S	Idler Brkt. Deck Ass'y.
106	756-0293A	1	S	V-Belt Idler
107	710-0459	1	S	Hex Bolt 3/8-24 x 1.5" Lg.
110	738-0129	1		Shld. Bolt .498" Dia. x 2.05"
111	732-0180	1	S	Ext. Spring 4.0" Lg.
112	710-0726	1	/P	Hex Wash. AB-Tap Scr. 5/16 x .75" Lg.
113	714-0147	1		Hitch Pin Clip
114	738-0482	1		Hitch Rod
118	736-0171	1	S/F	L-Wash. 7/16" I.D.
119	710-1049	1	/P	Hex Bolt 7/16-20 x 3.75" Lg.

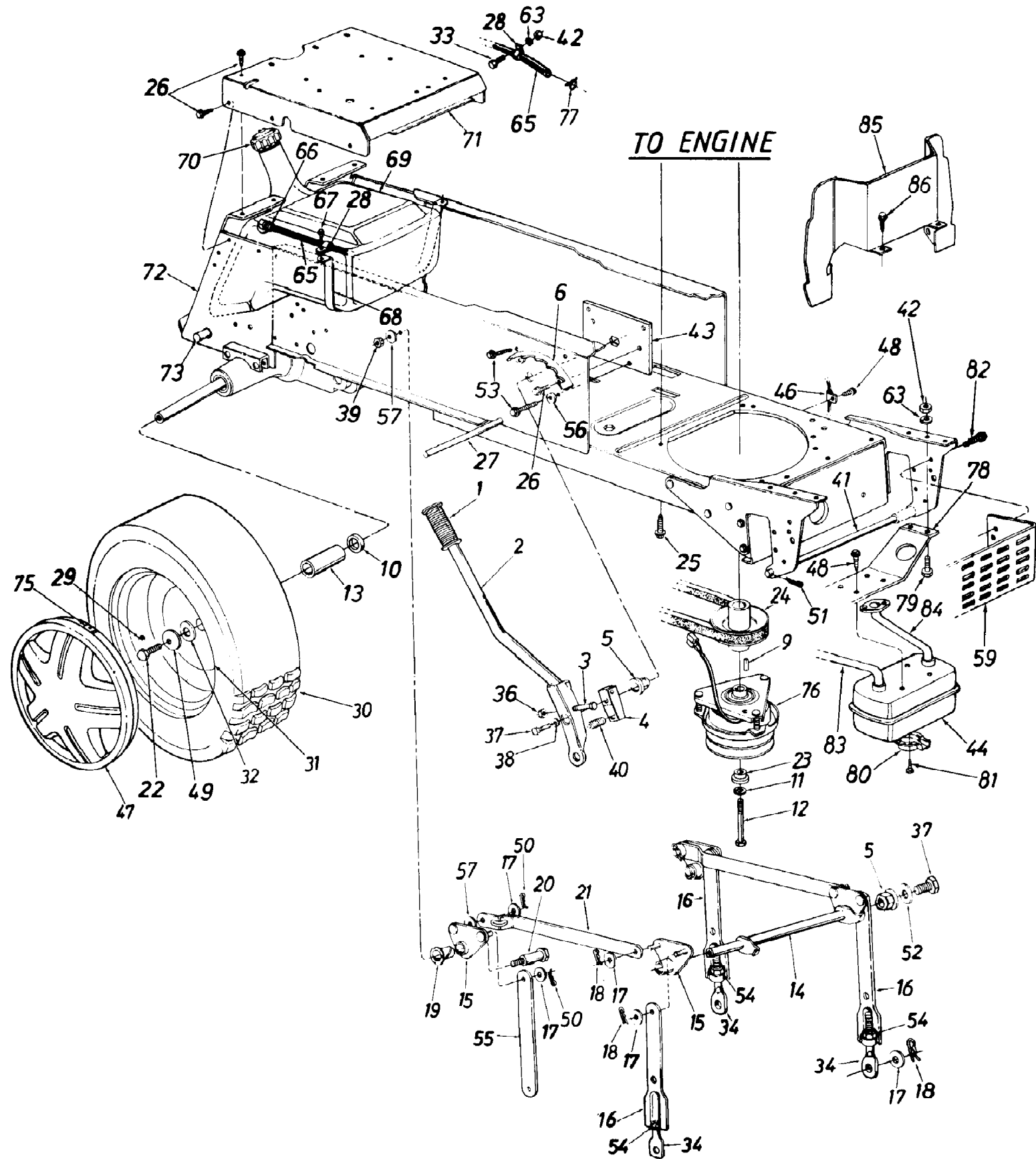
132-836H190 GT-185 (1992)

Page 11 of 24

Lower Frame, Dash Panel Ass'y., Transaxle And Linkages

Ref #	Part Number	Qty	S/P/F	Description
120	725-3169A	1	S	Safety Switch
121	17962	1		Switch Plate
122	710-1214	1		Torx Hd. Mach. B-Tap Scr.

Mower Deck Lift Mechanism, Gas Tank, Muffler And Rear Wheel

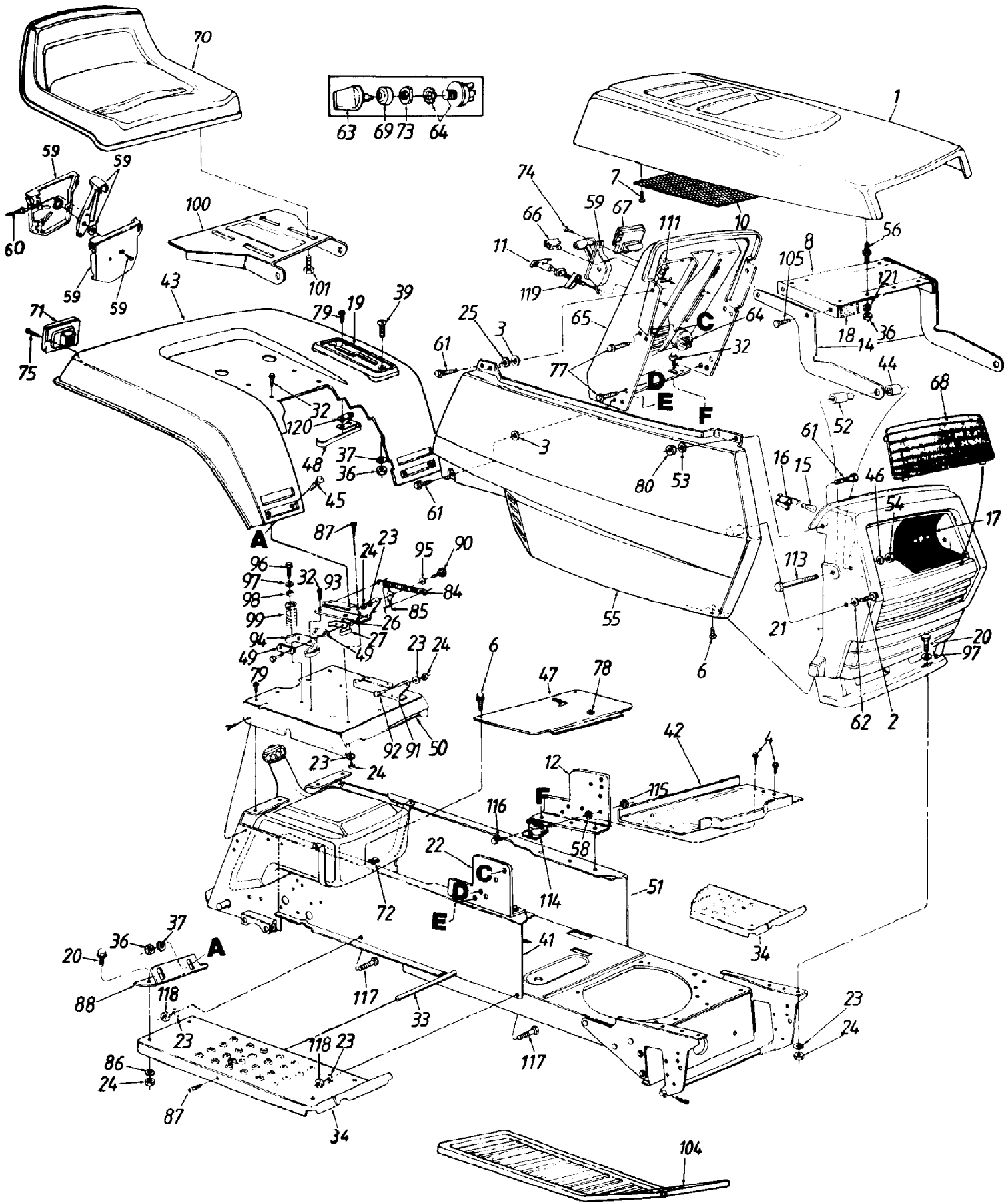


Mower Deck Lift Mechanism, Gas Tank, Muffler And Rear Wheel

Ref #	Part Number	Qty	S/P/F	Description
1	720-0233	1	S	Grip
2	17282	1	S	Lift Handle Ass'y.
3	710-0442	1	S/F	Hex Bolt 5/16-18 x 1.5" Lg.
4	748-0274A	1	/P	Lift Shaft Drive
5	741-0225	1	S	Plastic Hex Brg. 5/8" I.D.
6	14231	1	S	Index Brkt. Deck Lift
?7	737-0286	1		Oil Drain Pipe (Not shown). Code: N notates a new part (not previously existing).
?8	751-3001	1		Oil Drain Plug (Not shown). Code: N notates a new part (not previously existing).
9	714-0128	1	/P	Sq. Key 1/4" x 1" Lg.
10	736-0188	1	/P	FI-Wash. .76" I.D. x 1.49" O.D.
11	736-0171	1	S/F	L-Wash. 7/16" I.D.
12	710-1049	1	/P	Hex Bolt 7/16-20 x 3.75" Lg.
13	731-1086	1	S	Sleeve .75" I.D. x 1.0" O.D.
14	13889	1		Lift Shaft Ass'y.
15	13895	1		Lift Pivot Brkt. Ass'y.
16	17303	1	S	Adj. Deck Lift Link
17	736-0192	1	S	FI-Wash. 1/2" I.D. x 1.00" O.D. x .090"
18	714-0101	1	S	Hairpin Cotter
19	741-0295	1	S	Nyliner 5/8" I.D. x .88" Lg.
20	738-0445	1	S	Shld. Bolt 5/8" Dia. x .96" Lg. 3/8-16
21	13790	1	S	Connecting Link
22	710-0627	1	/P	Hex Bolt 5/16-24 x .75" Lg.
23	738-0785	1	S	Shoulder Spacer
24	756-0575	1		Engine Pulley
25	710-0502A	1	/P	Hex Wash. Hd. Scr. 3/8-16 x 1.25" Lg.
26	710-0726	1	/P	Hex Thd. Rolling Scr. 5/16-18 x .75" Lg.
27	738-0435	1		Running Board Rod
28	726-0272	1	/P	Clamp
29	734-0255	1	S	Air Valve
30	734-1679	1	S/F	Rear Wheel Ass'y. Comp.
	734-1680	1	F	Tire Only
31	734-0603A	1	S	Rear Wheel Rim Only
32	736-0346	1		Flat Washer .34" I.D.
33	710-0258	1	S	Hex Bolt 1/4-20 x .62" Lg.
34	711-0817	1	S	Eye Bolt Adj. Link 1/2-13 Thd.
36	712-0158	1	S	Hex Cent. L-Nut 5/16-18 Thd.
37	710-0237	1	/P/F	Hex Bolt 5/16-24 x .62" Lg.
38		1		UNKNOWN
39	712-0181	1	S	Hex Top L-Nut 3/8-16 Thd.
40	732-0369	1	S	Compression Spring
41	738-0777	1	S	Deck Connecting Rod
42	712-0287	1	S/F	Hex Nut 1/4-20 Thd.
43	14170	1	S	Index Brkt. Reinforcement Plate
44	751-0557	1	S	Muffler
46	726-0273	1		Mounting Clamp
47	734-1757	1		Hub Cap Code: N notates a new part (not previously existing).
48	710-0599	1	/P	Hex Wash. Hd. TT-Tap Scr. 1/4-20 x .5" Lg.
49	736-0242	1	/P	Bell Wash. .39" I.D.

Mower Deck Lift Mechanism, Gas Tank, Muffler And Rear Wheel

Ref #	Part Number	Qty	S/P/F	Description
50	714-0111	1	S	Cotter Pin .09 Dia. x 1.0" Lg.
51	714-0149B	1	S	Int. Cotter Pin
52	736-0231	1	S	Flat Wash. .34" I.D. x 1.12" O.D. x .125"
53	710-0600	1	/P	Hex Wash. Hd. AB-Tap Scr. 5/16-24 x .5" Lg.
54	712-0206	1	S	Hex Nut 1/2-13 Thd.
55	14399	1	S	Deck Link
56	736-0264	1	S	FI-Wash. .344" I.D.
57	736-0219	1	S	Bell-Wash. .4" I.D. x 1.13" O.D.
59	783-0023	1	S	Heat Shield Code: N notates a new part (not previously existing).
63	736-0329	1	S/F	L-Wash. 1/4" I.D.
65	751-0535-46	1	S	Fuel Line 46" Lg.
66	726-0205	1	/P	Hose Clamp
67	710-0776	1	S	Hex AB-Tap Scr. 1/4 x .62" Lg.
68	17424	1		Fuel Tank Strap
69	751-0566	1		Gas Tank Code: N notates a new part (not previously existing).
70	751-0531B	1	/P	Gas Gauge
71	16848C	1	S	Seat Plate Code: N notates a new part (not previously existing).
72	17343	1		Hitch Plate
73	738-0482	1		Hitch Rod
75	727-0425B	1	S	Spring Clip Code: N notates a new part (not previously existing).
76	717-0949	1	S	Electric Clutch
77	726-0272	1	/P	Hose Clamp
78	17958	1		Muffler Mounting Brkt. Code: N notates a new part (not previously existing).
79	710-0258	1	S	Hex Bolt 1/4-20 x .62" Lg.
80	751-0564	1	S	Muffler Deflector Code: N notates a new part (not previously existing).
81	710-0148	1	/P	Hex Wash. Hd. F-Tap Scr. #8 x .32" Lg.
82	710-0604	1	S	Hex Wash. Hd. TT-Tap Scr. 5/16"-18 x .62" Lg.
83	751-0558	1		Exhaust Tube - R.H. Code: N notates a new part (not previously existing).
84	751-0559	1	S	Exhaust Tube - L.H. Code: N notates a new part (not previously existing).
85	783-0037	1		Top Heat Shield Code: N notates a new part (not previously existing).
86	710-1246	1	S	Hex Wash. Hd. Scr. #8-32 x .5" Lg. Code: N notates a new part (not previously existing).



132-836H190 GT-185 (1992)
Side Covers, Hood, Rear Fender And Seat

Page 16 of 24

Ref #	Part Number	Qty	S/P/F	Description
1	731-1371	1		Hood Code: N notates a new part (not previously existing).
2	710-0896	1	/P	Hex Wash. B-Tap Scr. 1/4 x .62" Lg.
3	726-0233	1	/P	Bolt Retainer 1/4" I.D.
4	710-0776A	1	S	Hex AB-Tap Scr. 1/4 x .62" Lg.
6	710-0351	1	/P	Truss Mach. B-Tap Scr. #10 x .5" Lg.
7	710-0200	1		Hex Wash Hd. AB-Tap Scr. #8 x .5" Lg.
8	16903	1	S	Hood Plate
10	723-0416	1		Screen
11	746-0614A	1	/P	Choke Control
12	17294	1		Dash Support Brkt. - L.H.
14	16902	1		Hood Hinge
15	725-0963	1	S	Lamp
16	725-1649	1	S	Twist Lock - Lamp Socket Code: N notates a new part (not previously existing).
17	777-8516	1		Reflector - Headlight
18	722-0199	1		Foam Seal
19	731-1053A	1	S	Speed Control Index Brkt.
20	710-0376	1	/P/F	Hex Bolt 5/16-18 x 1.0" Lg.
21	731-1373	1		Grille Code: N notates a new part (not previously existing).
22	17293	1	S	Dash Support Bracket - R.H.
23	736-0119	1	S/F	L-Wash. 5/16" I.D.
24	712-0267	1	S/F	Hex Nut 5/16-18 Thd.
25	736-0176	1	S	FI-Wash. 1/4" I.D. x .93" O.D.
26	726-0278	1		Insulator Boss Plate
27	725-1439	1		Seat Spring Switch
32	710-0726	1	/P	Hex Wash. Hd. AB-Tap Scr. 5/16 x .75" Lg.
33	738-0435	1		Running Board Rod
34	16922	1		Running Board - R.H.
	16921	1		Running Board - L.H.
36	712-0287	1	S/F	Hex Nut 1/4-20 Thd.
37	736-0329	1	S/F	L-Wash. 1/4" I.D.
39	710-0166	1	S	Truss Mach. Scr. 1/4-20 x 1.0" Lg.
41	17360	1		R.H. Side Frame
42	17635	1	S	Battery Plate
43	17330A	1		Rear Fender Code 629/N
44	750-0755	1		Spacer .33" I.D. x .625" O.D.
45	710-0167	1	/P/F	Carriage Bolt 1/4-20 x .50" Lg.
46	736-0278	1		FI-Wash. .328" I.D. x .68" O.D.
47	17393	1	S	Transmission Panel
48	725-1643	1		Reverse Safety Switch Code: N notates a new part (not previously existing).
49	726-0279	1		Insulator Plate
50	16848C	1	S	Seat Plate Code: N notates a new part (not previously existing).
51	17361A	1		L.H. Side Frame
52	750-0754	1		Shld. Spacer.33" I.D.
53	736-0142	1	S	FI-Wash. .281" I.D. x .5" O.D.
54	712-0158	1	S	Hex Cent. L-Nut 5/16-18 Thd.

132-836H190 GT-185 (1992)
Side Covers, Hood, Rear Fender And Seat

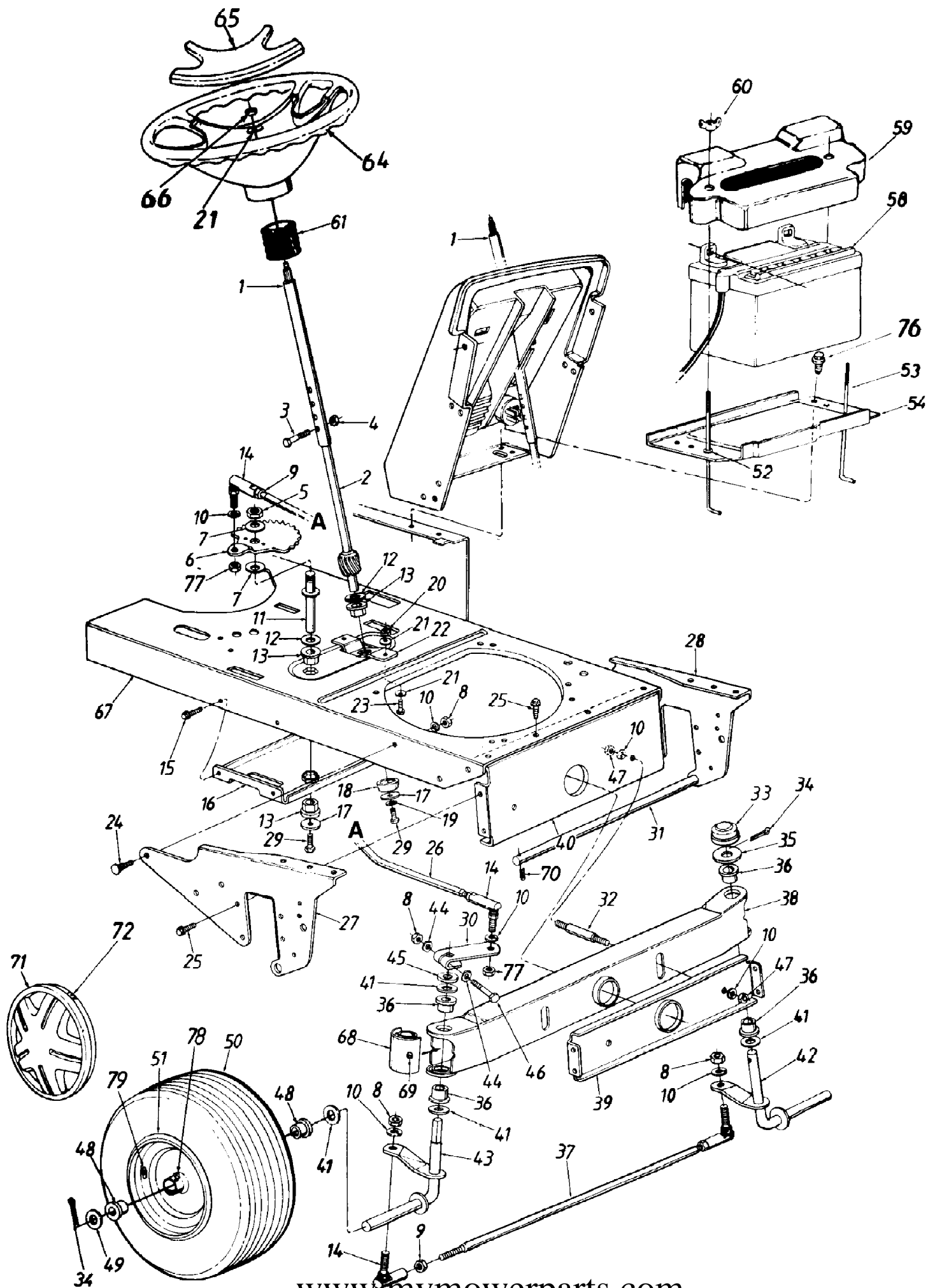
Page 17 of 24

Ref #	Part Number	Qty	S/P/F	Description
55	683-0018	1	S	Side Cover Ass'y. - R.H. Code: N notates a new part (not previously existing).
	683-0017	1		Side Cover Ass'y. - L.H. (Not shown). Code: N notates a new part (not previously existing).
56	710-1034	1		Double Ended Stud 1/4-20 Thd.
58	736-0222	1	S	Ext. L-Wash. 1/4" I.D.
59	831-0823A	1	/P	Throttle Control Box Ass'y.
60	746-0634	1	S	Throttle Control Wire 35" Lg.
61	710-0258	1	S/F	Hex Bolt 1/4-20 x .62" Lg.
62	736-0173	1	/P	FI-Wash. .281" I.D. x .73" O.D.
63	725-1341B	1	/P	Ignition Key
64	725-1396	1	S	Ignition Switch
65	731-0958A	1		Dash Panel Code: N notates a new part (not previously existing).
66	725-0634	1	S	Light Switch
67	725-0925	1	S	Ammeter
68	731-1038	1	S	Lens
69	725-1347	1	/P	Ignition Switch Cap
70	757-0351	1		Seat Ass'y.
71	725-3018	1		Taillight Ass'y.
72	726-0139	1	/P	Speed Nut #10Z
73	725-1346	1	S	Ignition Switch Nut
74	710-0779A	1	/P	Truss Mach. AB-Tap Scr. #10 x .5" Lg.
75	710-0936	1		Truss Hd. AB-Tap Scr. #6 x .62" Lg.
77	710-0642	1	/P	Hex Wash. Hd. Tap Scr. 1/4 x .75" Lg.
78	731-0405	1		Snap Bushing
79	710-0227	1	/P	Hex Wash. Hd. AB-Tap Scr. #8 x .50" Lg.
80	712-0291	1	S	Hex L-Nut 1/4-20 Thd.
84	732-0581B	1	S	Ext. Spring 5.31" Lg. Code: N notates a new part (not previously existing).
85	17239A	1	S	Seat Lift Brkt.
86	736-0242	1	/P	Bell-Wash. .345" I.D. x .88" O.D.
87	710-0323	1	/P	Truss Machine Scr. 5/16-18 x .75" Lg.
88	17406	1	S	Fender Bracket - R.H.
	17407	1	S	Fender Bracket - L.H.
90	738-0296	1	S	Shld. Bolt .437" Dia. x .268"
91	17701	1	S	Seat Pivot Brkt. Support - L.H.
92	738-0155	1	S	Shld. Bolt .437" Dia. x .162"
93	17702	1	S	Seat Pivot Brkt. Support - R.H.
94	725-1303	1	S	Spring Switch
95	736-0141	1	S	Spr.-Wash. .445" I.D.
96	710-0601	1	S	Hex Wash. Hd. Tap Scr. 5/16-18 x .75" Lg.
97	736-3078	1	/P	FI-Wash. .344" I.D. x 1" O.D.
98	722-0160	1		Bushing
99	732-0588	1		Compression Spring
100	15607D	1	S	Seat Pivot Bracket
101	710-0623	1	/P	Hex Tap Scr. 3/8-16 x .75"
104	731-1051	1		Foot Pad
105	710-0599	1	/P	Hex Tap Scr. 1/4-20 x .5" Lg.
111	712-0185	1		Speed Nut 1/4-20 Thd.
113	710-0176	1		Speed Nut 1/4-20 Thd. 1.18 x 2.75"

132-836H190 GT-185 (1992)
Side Covers, Hood, Rear Fender And Seat

Page 18 of 24

Ref #	Part Number	Qty	S/P/F	Description
114	725-1426	1	S	Solenoid
115	712-0271	1	/P	Hex Sems Nut 1/4-20 Thd.
116	710-0289	1	S/F	Hex Bolt 1/4-20 x .5" Lg.
117	710-1012	1	/P	Rib Neck Bolt 5/16-24 x .75" Lg.
118	712-0123	1	/P	Hex Nut 5/16-24 Thd.
119	17782	1		Retainer Clip
120	726-0320	1	S	Insulator Nut Plate Code: N notates a new part (not previously existing).
121	736-0270	1	/P	Bell-Wash. .265" I.D. x .75" O.D.



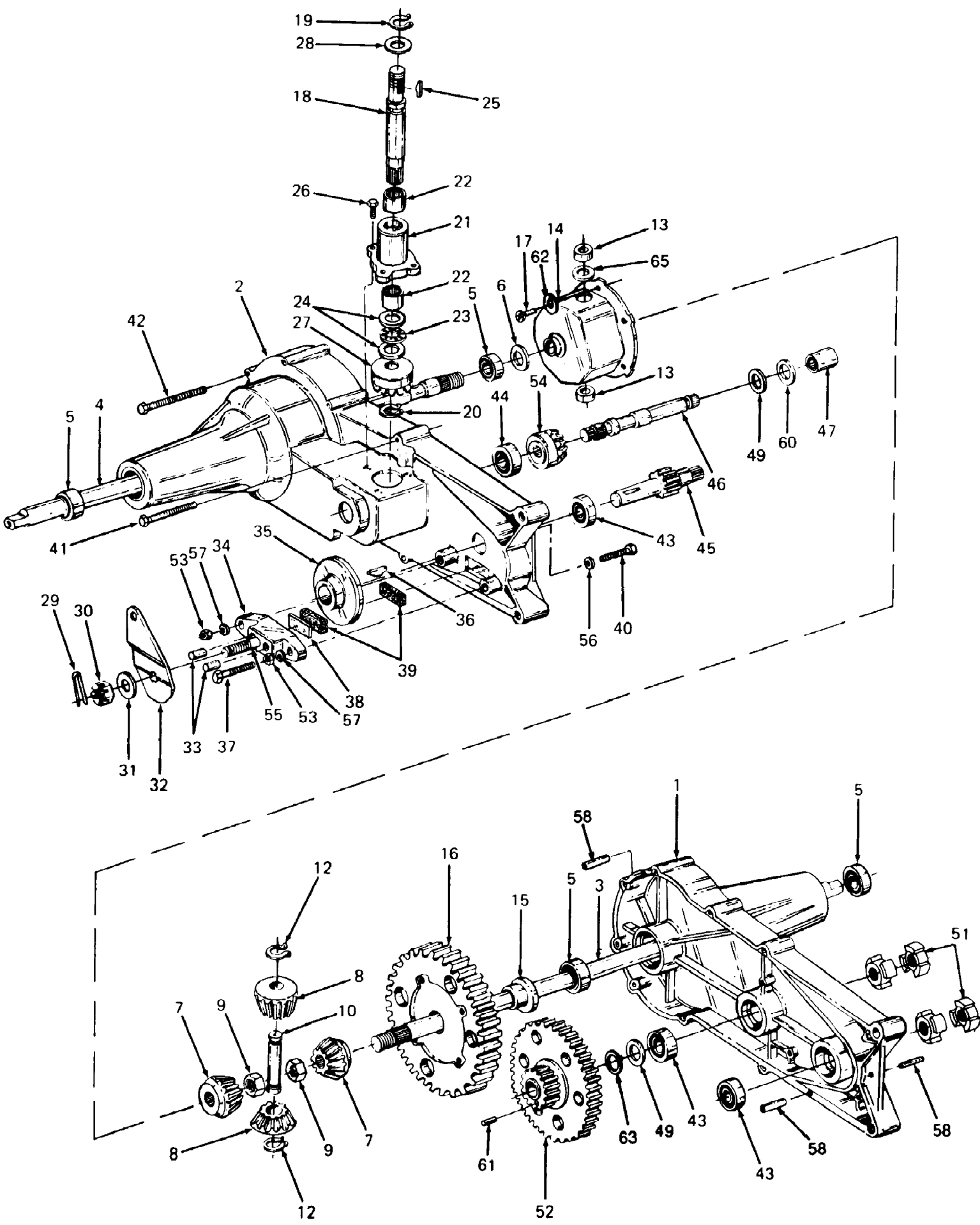
Ref #	Part Number	Qty	S/P/F	Description
1	16512	1		Steering Column Ass'y.
2	738-0763	1	S	Lower Steering Shaft
3	710-0958	1	/P	Hex Bolt 1/4-20 x 1.31" Lg.
4	712-0324	1	/P	Hex L-Nut 1/4-20 Thd.
5	712-0337	1	F	Hex Nut 5/8-18 Thd.
6	717-0943A	1	S	Steering Gear Segment
7	736-0317	1	/P	Bell-Wash. 5/8" I.D. x 1.25" O.D.
8	712-0241	1	/P	Hex Nut 3/8-24 Thd.
9	712-0711	1	/P	Hex Jam Nut 3/8-24 Thd.
10	736-0169	1	S/F	L-Wash. 3/8" I.D.
11	738-0768	1		Steering Gear Segment Shaft
12	736-0187	1	/P	FI-Wash. .64" I.D. x 1.24" O.D.
13	748-0227A	1	S	Hex Flange Brg. .63" I.D.
14	723-3018	1	S	Ball Joint Ass'y.
15	710-0599	1	/P	Hex Wash. Hd. TT-Tap Scr. 1/4-20 x .5" Lg.
16	16888	1	S	Deck Idler Support Brkt.
17	736-0343	1	/P	FI-Wash. .33" I.D. x 1.25" O.D.
18	750-0532	1	S	Spacer .985" I.D. x 1.25" O.D.
19	736-0119	1	S/F	L-Wash. 5/16" I.D.
20	712-0123	1	/P/F	Hex Nut 5/16-24 Thd.
21	736-0242	1	/P	Bell-Wash. .345" I.D. x .88" O.D.
22	16894	1	S	Bearing Retainer Brkt.
23	710-0157	1	/P	Hex Bolt 5/16-24 x .75" Lg.
24	710-0793	1		Ribbed Neck Bolt 3/8-24 x .8" Lg.
25	710-0604	1	S	Hex Wash. TT-Tap Scr. 5/16-18 x .62" Lg.
26	747-0579	1	S	Steering Drag Link
27	16896	1		Pivot Bar Side Plate - R.H.
28	16897	1		Pivot Bar Side Plate - L.H.
29	710-0538	1	/P	Hex Bolt 5/16-18 x .62" Lg.
30	16918	1	S	Steering Arm
31	738-0777	1	S	Deck Connecting Rod
32	738-0775	1		Pivot Bar Shld. Bolt 3/8-16 x 5/8" Lg.
33	731-0484A	1	S	Cap
34	714-0121	1	S	Cotter Pin 5/32" Dia.
35	736-0316	1	S	Flat Washer
36	741-0523	1	S	Flange Brg. .757" I.D.
37	747-0721	1		Tie Rod 20.25" Lg.
38	16843	1	S	Pivot Bar Assy.
39	16889	1	S	Pivot Bar Support Brkt. - Front
40	16890	1	S	Pivot Bar Support Brkt. - Rear
41	736-0188	1	/P	FI-Wash. .76" I.D. x 1.49" O.D.
42	16913	1		Front Axle Ass'y. - L.H.
43	16912	1		Front Axle Ass'y. - R.H.
44	736-0286	1	S	Bowed Washer
45	748-0160	1	S	Spacer .755" I.D. x 1.25" O.D.
46	710-0331	1	/P	Hex Bolt 3/8-24 x 2.25" Lg.
47	712-0798	1	/P/F	Hex Nut 3/8-16 Thd.
48	741-3032	1	S	Ball Brg. .75" I.D. Code: N notates a new part (not previously existing).
49	736-0316	1	S	FI-Wash. .71" I.D. x 1.5" O.D.
50	634-0058	1		Wheel Ass'y. Comp. Code: N notates a new part (not previously existing).

132-836H190 GT-185 (1992)
Steering Assembly And Battery

Page 21 of 24

Ref #	Part Number	Qty	S/P/F	Description
	734-0427	1	S	Tire Only
51	634-0052	1		Rim Only Code: N notates a new part (not previously existing).
52	726-0271	1	S	Push Nut
53	711-0222	1	S	Battery Hold Down Rod
54	17635	1	S	Battery Plate
58	725-1635	1	S	Battery (275 Cold Crank Amps)
59	731-1132	1		Battery Cover
60	712-0113	1	S	Wing Nut Plastic 1/4-20 Thd.
61	731-0954	1	S	Steering Bellow
64	631-0005	1	S	Steering Wheel Code: N notates a new part (not previously existing).
65	731-1344	1		Steering Wheel Insert Code: N notates a new part (not previously existing).
66	712-0237	1	S	Hex L-Nut 5/16-24 Thd.
67	17359A	1	S	Lower Frame
68	731-1049	1		Pivot Bar End Cap
69	737-0280	1	S	Grease Fitting
70	714-0149B	1	S	Internal Cotter Pin
71	734-1756	1		Hub Cap Code: N notates a new part (not previously existing).
72	727-0425B	1	S	Spring Clip Code: N notates a new part (not previously existing).
76	710-0776A	1	S	Hex AB-Tap Scr. 1/4 x .62" Lg.
77	712-0446	1	S	Hex Jam L-Nut 3/8-24 Thd.
78	737-0280	1	S	Grease Fitting
79	734-0255	1	S	Air Valve
	777-6549	1		Plastic Logo on Hood Side Labels
	777-0186	1		Plastic Logo - Grille
	777-0171A	1		GT-185 Side Panel Labels
	777-8317	1		Cruisematic GT Medallion
	777-8214	1		White Label - Fender
	777-4777	1		Reflective Label - Seat Back

132-836H190 GT-185 (1992)
Transaxle P/N 717-0950



132-836H190 GT-185 (1992)
Transaxle P/N 717-0950

Page 23 of 24

Ref #	Part Number	Qty	S/P/F	Description
	717-0950	1		Transaxle
1	AF-44077	1	S	Housing Half, L.H.
2	AF-44076	1	S	Housing Half, R.H.
3	AF-44393	1		Axle, L.H.
4	AF-44392	1		Axle, R.H.
5	AF-44121	4	S	Bearing, Ball
6	AF-44008	1	S	Washer, Flat, .76" x 1-1/8" x .306" Thk. Hdn.
7	717-1019	2	S	Gear, Miter
8	717-1020	2	/P	Gear, Miter
9	712-0200	2	S	Nut, Hex Jam Patch Lock 1/2-20
10	717-0673	1	S	Shaft, Cross
?11	736-0369	1	S	Washer, Flat .505" I.D. x 1.0"
12	716-0142	2	S	Ring, Snap
13	717-0690	2	S	Bearing, Thrust
14	717-0777	1	S	Housing Ass'y. Differential
15	741-0376	1	S	Bearing, Flange, .75" I.D. x .587"
16	717-0759	1	S	Gear, Differential, 72 Tooth
17	710-1017	1	/P	Torx Hd. AB-Tap Scr. 1/4 x .62" Lg.
18	AF-44270	1	S	Shaft, Input
19	716-0115	1	S	Ring, Snap
20	716-0108	1	S	Ring, Retaining, Ext. 7/16" Dia.
21	AF-44081	1		Bearing, Input Housing
22	741-0335	2	S	Bearing, Needle, 5/8" I.D. x .50" Lg.
23	AF-44139	1	S	Bearing, Thrust
24	AF-44109	2	S	Washer, Flat, 5/8" I.D. x 1.12" O.D. x .030" Thk.
25	714-0129	1	S	Key #4 Hi-Pro, 3/32" x 5/8" Dia. (Hdn)
26	AF-44122	3		Screw, Hex Patch Lock, 1/4-20 x 3/4" Lg.
27	AF-44078	1		Gear, Input Pinion, 17 Tooth
28	736-0336	2	S	Washer, Flat, .62" I.D. x 1.0" O.D. x .030" Thk.
	736-0349	A/R	S	Washer, Flat, .62" I.D. x 1.0" O.D. x .020" Thk.
	736-0337	A/R	S	Washer, Flat, .62" I.D. x 1.0" O.D. x .040" Thk.
	AF-44371	A/R	S	Washer, Flat, .62" x 1.0" O.D. x .50" Thk.
29	714-0507	1	S	Pin, Cotter
30	712-0335	1	S	Nut, Castle, 5/16-24 Thd.
31	736-0371	1	/P	Washer, Flat, .343" x .88" x .062" Thk.
32	AF-44094	1		Arm, Brake Actuator
33	741-0343	2	S	Pin, Actuating, 5/16" Dia.
34	717-0679	1		Yoke, Brake
35	717-0677	1	/P	Disc, Brake
36	714-0161	1	S	Key, Hi-Pro, 3/16" x 5/8" Dia.
37	AF-44276	1		Screw, Hex Patch Lock, 1/4-20 x 1.5" Lg.
38	717-0682	1	S	Plate, Puck
39	717-0678	2	S	Puck, Brake
40	AF-44277	1		Screw, Hex Cap, 1/4-20 x 1.5" Lg.
41	AF-44123	2		Screw, Hex Self-Tap, 1/4-20 x 2.0" Lg.
42	AF-44124	6		Screw, Hex Self-Tap, 1/4-20 x 2.75" Lg.
43	741-0155			

132-836H190 GT-185 (1992)
Transaxle P/N 717-0950

Page 24 of 24

Ref #	Part Number	Qty	S/P/F	Description
44	741-0361	1	S	Bearing, Ball
45	AF-44083	1	S	Shaft, Pinion w/11 Tooth Gear
46	AF-44080	1	S	Shaft, Drive
47	AF-44342	1	S	Bearing, Needle
49	AF-44110	1		Washer, Flat, 5/8" x 1.12" x .060" Thk.
	AF-44371	A/R	S	Washer, Flat, 5/8" x 1.12" x .050" Thk.
51	AF-44084	4	S	Coupling
52	AF-44082	1	S	Gear, Tooth 60 & 17
53	712-0298	1	S	Nut, Hex Jam, 1/4-20 Thd.
54	AF-44079	1	S	Gear, Drive Pinion, 17 Tooth
55	717-0796	1	/P	Bolt, Square Hd. 5/16-24 Thd.
56	736-0176	1	S	Washer, Flat, .265" x .938" x .12" Thk.
57	736-0329	1	S	Washer, Lock, 1/4" I.D.
58	AF-44269	3		Pin, Roll, 3/16 Dia. x .50" Lg.
?59	737-3047	16 oz.		Grease, Transmission
60	AF-44343	1	S	Bronze Thrust Brg. 5/8" I.D.
61	AF-44346	1		Dowel Pin 3/32" x 1/4"
62	AF-44504	4		Washer, Spring Lock 1/4" I.D.
63	AF-44394	1	S	Seal, Grease
65	736-0369	1	S	Washer, Flat, .62" I.D. x 1.0" O.D. x .020" Thk.
	AF-44421	A/R		Washer, Flat, .62" I.D. x 1.0" O.D. x .030" Thk.